

## 7P/12V EXPERT Connectors - SAE J560

It is our business to find optimum and safe solutions for various needs in the area of connectors and wires. For the North American truck and trailer connector market (SAE J560) and also for agricultural technology, we have an all-new solution with outstanding features for our customers. In comparison with existing product designs, we are able to enhance the application in terms of:



### Reliability

- Contacts feature individual wire-seals to ensure water-tightness to IPX9K
- Cover and mounting flange have seals for water tightness to IP54, adaption of corrugated tube
- Premium cover seal and unique central-load spring ensures water tightness (IPX4) when plug is not connected
- Plated contacts and active face seal prevent corrosive damage to contacts when plug is connected
- Flange seal is available to prevent water ingress between the socket and the vehicle or nose box
- Stainless steel mounting bolt bushings allow higher tightening torque



### Maintenance

- Modular design for easy repair or replacement
- Harness connector secured to socket housing with secondary locking feature
- 7-pin sockets and harness connector housings are labeled and color coded
  - Green = SAE J560 Primary
  - Yellow = SAE J560 Auxiliary
- Custom cover lettering available
- 90° or straight back-shell cover is easily removed and replaced for service and repair



### Lower Cost

- No preattached expensive jacketed cable
- No over-mold tooling, process, and materials
- Increased flexibility of harness supplier selection
- Production process for harness maker is commonized with all other vehicle component harnesses
- Contact crimping and insertion can be performed by any harness manufacturer
- Lower weight contributes to lower operating costs

### Highlights

- Exceeds all SAE requirements
- EXPERT sockets by ERICH JAEGER are watertight (IPX9K)
- Socket housing with reception of contact insert and securing bracket
- Contact insert with terminal position assurance (TPA)
- Socket housing with metal bushings
- Cable outlet as fold cover with latch (can only be closed if TPA is locked)
- Works best from -40°F to 185°F (-40°C to 85°C)
- 90° cable outlet for small installation spaces



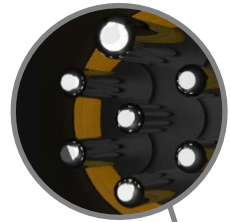
SCAN to WATCH





## 7P/12V EXPERT Connectors - SAE J560

Socket housing with seal on bottom of SAE J560 connection



Socket housing with metal bushings



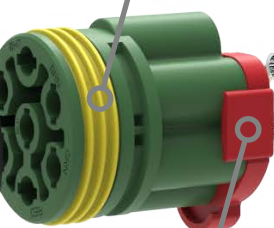
Separate contact housing with integrated circumference seal ensure highest water protection



Cable outlet as fold cover with latching hook and fixed securing bracket



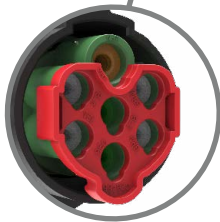
Cable outlet for corrugated tube



Socket housing with seal in cover



Socket housing with reception of contact insert and securing bracket



Contact insert with terminal position assurance (TPA)



Crimp contacts with single wire seals ensure highest water protection



Available as 180° and 90° cable outlet (90° version for small installation spaces)

## 7P/12V EXPERT Connectors - SAE J560

### Model Versions



7P/12V EXPERT watertight socket - SAE J560 Primary  
Set with nickel plated crimp contacts, contact insert, seal and cable outlet for corrugated tube NW17  
Retail Packaging / PE bag

180° (straight) and 90° cable outlet  
180° (straight) cable outlet  
90° cable outlet

Part No.

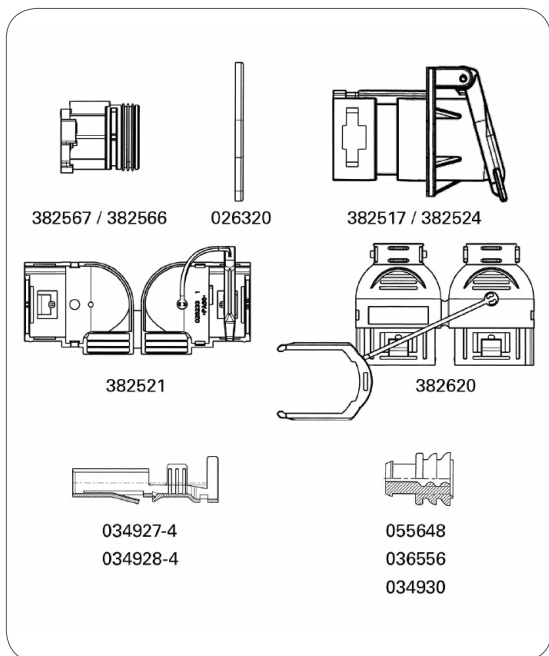
101390  
101380  
101379



7P/12V EXPERT watertight socket - SAE J560 Auxiliary  
Set with nickel plated crimp contacts, contact insert, seal and cable outlet for corrugated tube NW17  
Retail Packaging / PE bag

180° (straight) and 90° cable outlet  
180° (straight) cable outlet  
90° cable outlet

101391  
101382  
101381



7P/12V EXPERT socket housing - SAE J560 Primary

382517

7P/12V EXPERT socket housing - SAE J560 Auxiliary

382524

Contact insert - Primary

382567

Contact insert - Auxiliary

382566

Cable outlet 180°, for corrugated tube NW17

382620

Cable outlet 90°, for corrugated tube NW17

382521

Seal

026230

Crimp contact socket

12-10 AWG (3.0mm<sup>2</sup> - 5.0mm<sup>2</sup>)  
8 AWG (8.0mm<sup>2</sup>)

034927-4  
034928-4

Single wire seal

12 AWG (3.0mm<sup>2</sup>)  
10 AWG (5.0mm<sup>2</sup>)  
8 AWG (8.0mm<sup>2</sup>)

055648  
036556  
034930



## 7P/12V EXPERT Connectors - SAE J560

### Model Versions



Hand crimping tool for crimp contacts and single wire seals  
8, 10, 12 AWG (8.0mm<sup>2</sup>, 5.0mm<sup>2</sup>, 3.0mm<sup>2</sup>)

Part No.

361065



7P/12V cable - SAE J560 Primary green cable  
1/8 + 2/10 + 4/12 ga. (1x 8.0mm<sup>2</sup> + 2x 5.0mm<sup>2</sup> + 4x 3.0mm<sup>2</sup>)

Cable length

Packaging

12,5ft (3.8m)  
12,5ft (3.8m)  
13,0ft (3.95m)  
13,0ft (3.95m)  
14,3ft (4.35m)  
14,3ft (4.35m)  
18,0ft (5.5m)  
18,0ft (5.5m)

Retail Packaging / PE bag  
Bulk Packaging  
Retail Packaging / PE bag  
Bulk Packaging  
Retail Packaging / PE bag  
Bulk Packaging  
Retail Packaging / PE bag  
Bulk Packaging

611264  
611243  
611263  
611259  
611262  
611244  
611261  
611231



7P/12V coil - SAE J560 Primary, green cable, coil diameter: 100mm  
1/8 + 2/10 + 4/12 ga. (1x 8.0mm<sup>2</sup> + 2x 5.0mm<sup>2</sup> + 4x 3.0mm<sup>2</sup>)

Working length

Max. extension length

Packaging

12ft (3.5m)  
12ft (3.5m)  
15ft (4.5m)  
15ft (4.5m)

14ft 9in (4.5m)  
14ft 9in (4.5m)  
18ft (5.0m)  
18ft (5.0m)

Retail Packaging / PE bag  
Bulk Packaging  
Retail Packaging / PE bag  
Bulk Packaging

611268  
611222  
611267  
611224



7P/12V coil - SAE J560 Auxiliary yellow cable, coil diameter: 100mm  
1/8 + 2/10 + 4/12 ga. (1x 8.0mm<sup>2</sup> + 2x 5.0mm<sup>2</sup> + 4x 3.0mm<sup>2</sup>)

Working length

Max. extension length

Packaging

12ft (3.5m)  
12ft (3.5m)  
15ft (4.5m)  
15ft (4.5m)

14ft 9in (4.5m)  
14ft 9in (4.5m)  
18ft (5.0m)  
18ft (5.0m)

Retail Packaging / PE bag  
Bulk Packaging  
Retail Packaging / PE bag  
Bulk Packaging

611266  
611223  
611265  
611225