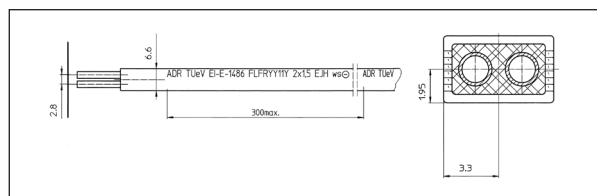




Assortimento cavi ADR ADR cables collection

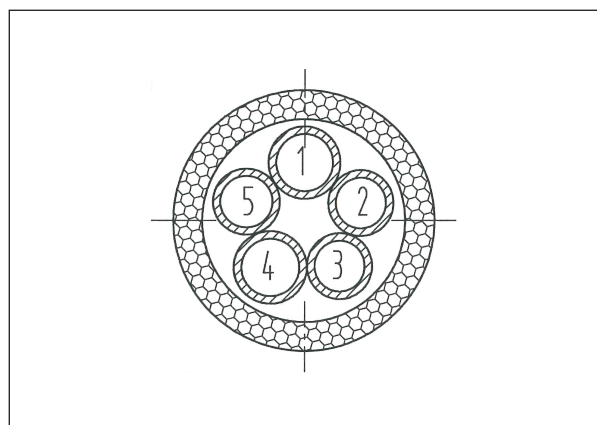


Modelli / Model Types



Cavo PUR ADR rettangolare (Click-In), 2x1,5 mm², -40°C +85°C
 1 Pezzo (bobina da 100 m)
 PUR ADR „Click-In“ flat cable, 2x 1,5 mm², -40°C to +85°C
 1 piece (length 100 m)

Codice art.
Order ID
784863



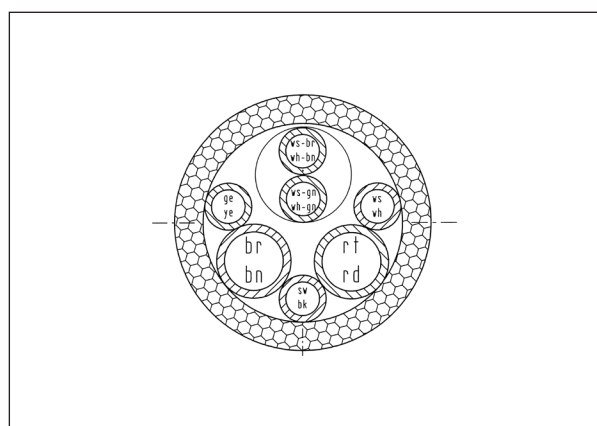
Cavo PUR ADR ABS 5 poli, 3x 1,5 mm² + 2x 4,0 mm²,
 -40°C +100°C, con conduttori numerati
 PUR ADR ABS cable, 3x 1,5 mm² + 2x 4,0 mm²,
 -40°C to +100°C, with number coding

1 Pezzo (bobina da 25 m)
 1 piece (length 25 m)

784969

1 Pezzo (bobina da 60 m)
 1 piece (length 60 m)

784973



Cavo PUR ADR EBS 7 poli, 5x 1,5 mm² + 2x 4,0 mm²,
 -40°C +125°C, con conduttori colorati
 PUR ADR EBS cable, 5x 1,5 mm² + 2x 4,0 mm²,
 -40°C to +125°C, with colour coding

1 Pezzo (bobina da 25 m)
 1 piece (length 25 m)

784970

1 Pezzo (bobina da 60 m)
 1 piece (length 60 m)

784974