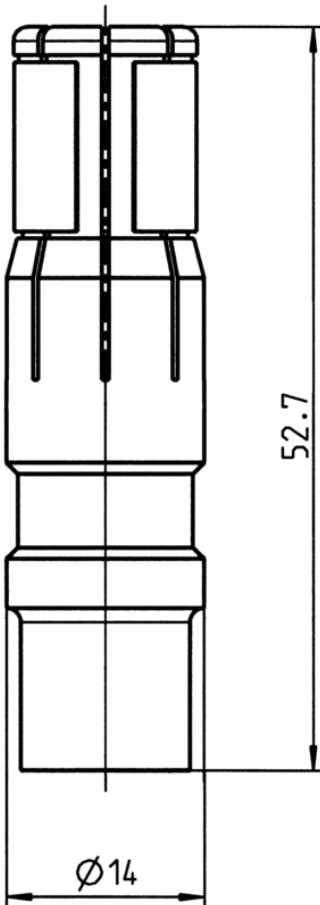


Article Number: 382092

2P/24V(135A) Contact (VG 96917 S35)



Categories	Socket , Accessories , Contact
Standards	VG 96917
Industries	Defense vehicles

Electrical Details and Temperature Resistance

Peak current / short-term load [in A]	245
Rated current / permanent load [in A]	135
Voltage [in V]	24

Packaging and Order Details

NATO stock No.	5999-12-341-6353
Package unit	pieces
Packaging quantity	1

Design Features

Special feature	with surrounding spring
-----------------	-------------------------

Material

Contact surface	silver (Ag)
-----------------	-------------

Connectivity

Contact termination	crimp contact , solder contact
Contact version	contact sleeve
No. of poles	02

Norms and Standards

Addition to standard	S35
----------------------	-----

Measures and Dimensions

Contact: for max. wire cross section [in mm²]	35,00
---	-------