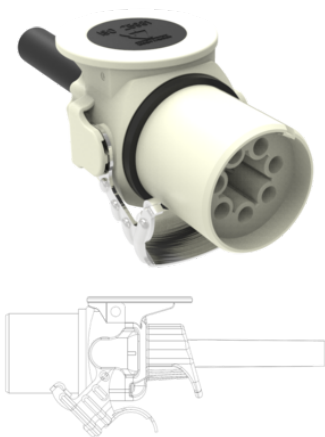


Article Number: 241114

7P/24V Plug (ISO 25981 ADR)



Categories	Plug
Standards	ISO 25981
Industries	Commercial vehicles

Electrical Details and Temperature Resistance

Voltage [in V]	24
----------------	----

Packaging and Order Details

Included in delivery	crimp contact sleeves (3x 1.0mm ² + 4x 6.0mm ² + 2x 2x6.00mm ²)
Packaging	retail bag

Design Features

Branding	ERICH JAEGER
Strain relief	with strain relief
Type of seal	bending protection grommet

Material

Contact surface	nickel (Ni)
Housing color	white
Housing material	reinforced composite

Connectivity

Cable outlet	bending protection grommet
Contact termination	crimp contact
Contact version	contact sleeve
No. of poles	07
Outlet open or closed	n.a.

Norms and Standards

Addition to standard	ADR
Protection	IP 54

Measures and Dimensions

For cable diameter	13,00mm - 14,30mm
--------------------	-------------------